



CHEMSTORE
INTERNATIONAL GROUP

FRP IBC BUNDS

LIGHT WEIGHT, CORROSIVE FREE,
MANEUVERABLE AND TOUGH

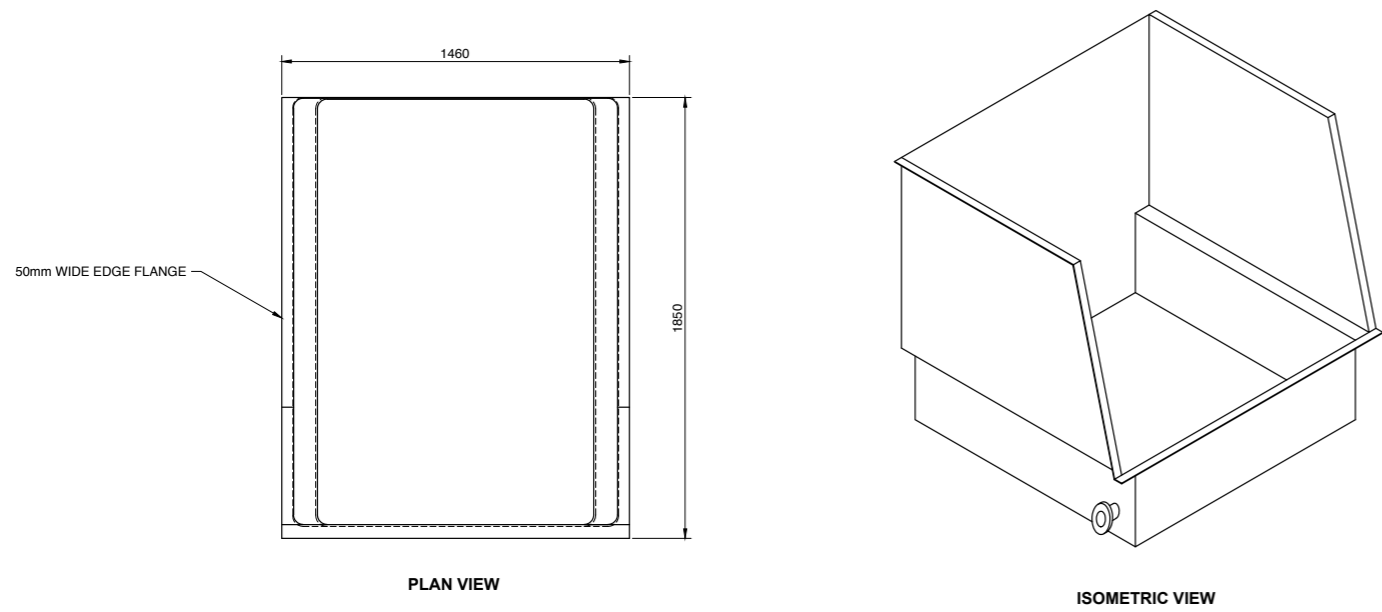
Chemstore International Group's IBC Bunding system is a new advanced design adding to our extensive product range. These FRP bunding systems are suitable for containment of most chemicals and acids stored in 1000 Litre bulk bins. Common in smaller process situations, these bunds are light weight, corrosive free and easily moved around the plant or work shop. The bunds also come with the option of heavy duty castor wheels with braking system or forklift access for the ease of relocation. Depending on the chemical environment we specify the most appropriate resin system for customised applications.

OPTIONS

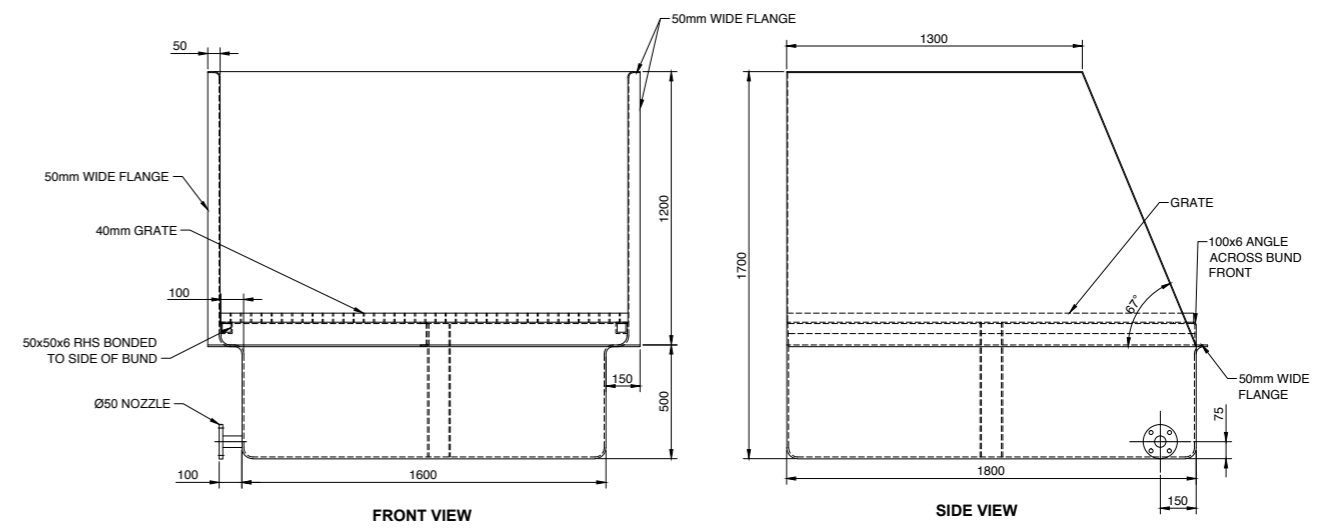
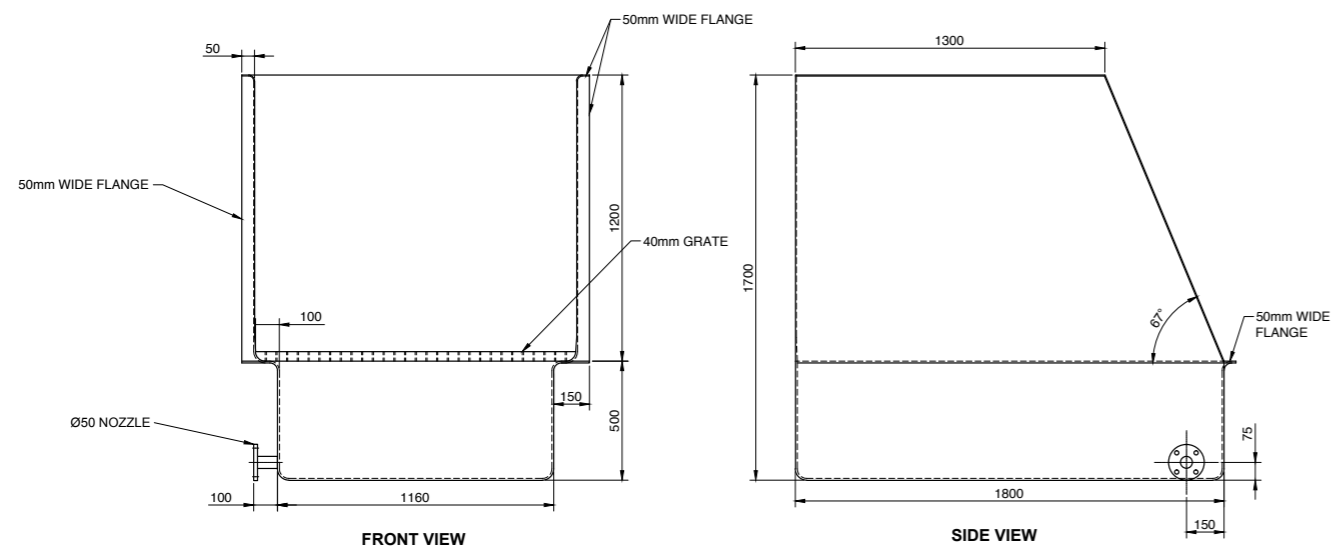
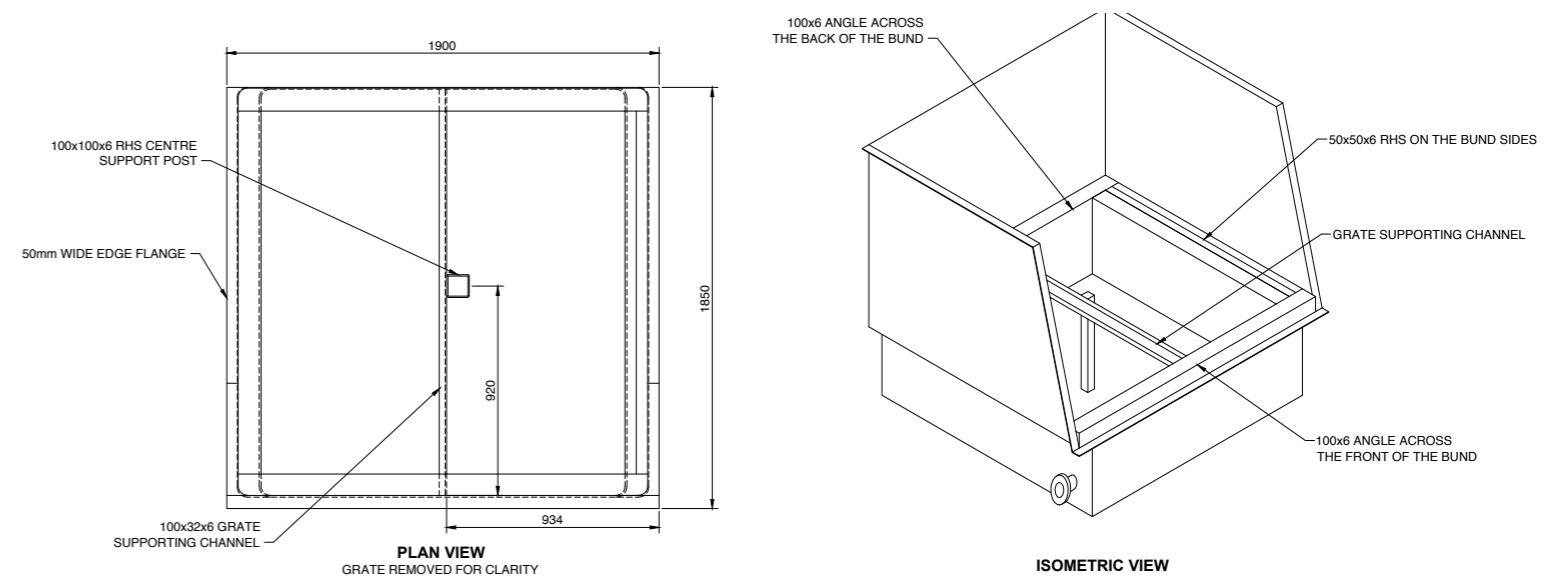
- Forklift pockets
- Drains - BSP or flanges
- Colour options
- Heavy duty castor wheels with breaking system

FRP IBC BUNDS SPECIFICATIONS

1000 LITRE



1500 LITRE



AUSTRALIA

19-21 CLARKE STREET [PO BOX 1045]
PARKES NSW AUSTRALIA 2870
P | 1300 139 971

NEW ZEALAND

LEVEL 27, PWC TOWER 188 QUAY STREET
AUCKLAND NEW ZEALAND 101
P | +64 9 363 3834

E | SALES@CHEMSTOREGROUP.COM.AU
WWW.CHEMSTOREGROUP.COM.AU

Chemstore Group Pty Ltd trading as Chemstore International Group
ABN 66 162 517 268 | ACN 162 517 268